



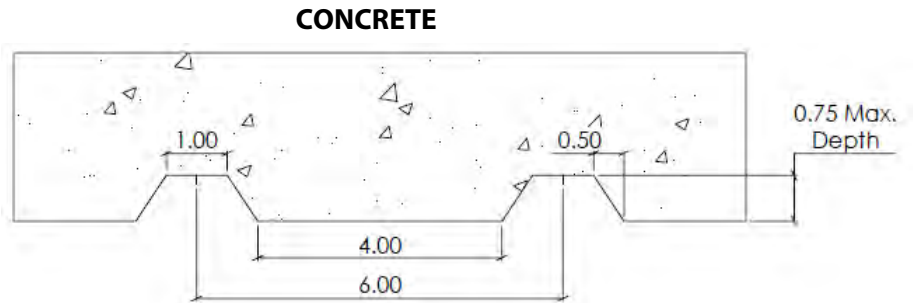
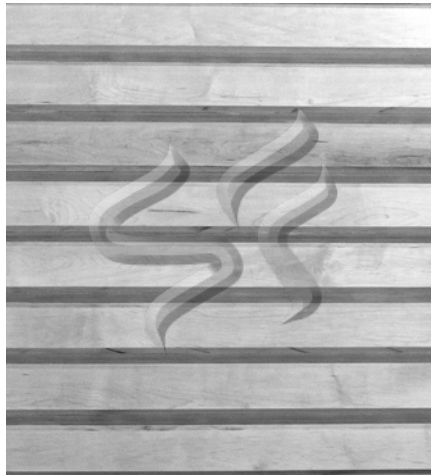
Spec Formliners, Inc.

Impressive on Concrete

Pattern Number: **1767**

Chestnut Flute

6" C-C, 3/4" depth, 1" valley, 4" peak



Visit www.specformliners.com for application guides and technical information

ThermoSpec™
SINGLE OR MULTI-USE PLASTIC

| Property | HIPS | ABS |
|--|-----------|-----------|
| Tensile D638 | 3700 | 5300 |
| IFlexural D7905 | - | 9300 |
| Hardness D786 | - | 105 |
| Material Weights - lbs/ft² | | |
| 0.070 MIL | 0.110 MIL | 0.150 MIL |
| 0.393 | 0.621 | 0.843 |
| Thicknesses Available | | |
| 0.070, 0.090, 0.110, 0.145, 0.155, 0.180 | | |

ElastoSpec Lite™ Semi-Elastomeric
MULTI-USE MATERIAL

| Property | ASTM | Rating |
|--|-------|----------|
| Shore A/D | D2240 | 40D/90A |
| Tensile | D412 | 1900 psi |
| Elongation | D412 | 300% |
| Tear Strength | D2370 | 23 MPa |
| Material Weights - lbs/ft² | | |
| Varies by Pattern | | |
| Maximum Thickness | | |
| 1/4" + Relief | | |

ElastoSpec™ 100% Solid Urethane
BONDED TO 3/4" PLYWOOD

| Property | ASTM | Rating |
|--|-------|----------|
| Shore A | D2240 | 55-65 |
| Tensile | D412 | 1400 psi |
| Elongation | D638 | 600% |
| Tear Strength | D624 | 200 pli |
| Material Weights - lbs/ft² | | |
| Varies by Pattern | | |
| Maximum Thickness | | |
| 1-1/8" + Relief | | |

Call for ThermoSpec™ Standard Panel Sizes on this pattern. Custom Sizes and Art Panels available

ElastoSpec™ Customized Panel Sizes and Art Panels