



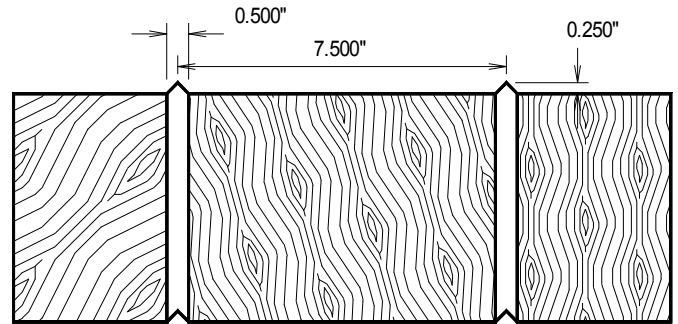
Spec Formliners, Inc.

Impressive on Concrete

Pattern Number: **1236**

Native Wood

Medium grain texture, 7-1/2" planks protruding reveal, 45" non-standard width



GENERAL INFORMATION

ATTACHMENT TO FORMWORK – Liners are attached to the form using TEK screws through the face of the liner spaced 12" C-C. Optional form mounting T-nuts embedded through the plywood backing is available for Elastospec panels.

FORM RELEASE – Apply with low flow, wide angle, flat spray nozzle and wipe with a cloth to insure a complete even coat to the entire form liner surface. Do not over apply form release agent. Protect treated form liners from precipitation, dust, and debris. Do not apply to reinforcing steel. Most VOC compliant form releases are approved for all form liner materials.

TECHNICAL SUPPORT – Contact Spec Formliners, Inc. 888 429-9550

ThermoSpec™ SINGLE OR MULTI-USE PLASTIC

Property	HIPS	ABS
Tensile D638	3700	5300
IFlexural D7905	-	9300
Hardness D786	-	105
Material Weights - lbs/ft²		
0.070 MIL	0.110 MIL	0.150 MIL
0.393	0.621	0.843

ElastoSpec Lite™ Semi-Elastomeric MULTI-USE MATERIAL

Property	ASTM	Rating
Shore D	D2240	65
Tensile	D412	3000 psi
Elongation	D412	300%
Tear Strength	D2370	23 MPa
Material Weights - lbs/ft²		
Varies by Pattern		

ElastoSpec™ 100% Solid Urethane BONDED TO 3/4" PLYWOOD

Property	ASTM	Rating
Shore A	D2240	50-55
Tensile	D638	800 psi
Elongation	D638	600%
Tear Strength	D624	200 pli
Material Weights - lbs/ft²		
Varies by Pattern		

Call for ThermoSpec™ Standard Panel Sizes on this pattern. Custom Sizes and Art Panels available
ElastoSpec™ Customized Panel Sizes and Art Panels

Spec Formliners, Inc. 530 East Dyer Road, Santa Ana, CA 92707
www.specformliners.com - Phone: 714 429-9500 - FAX: 714 429-1460