



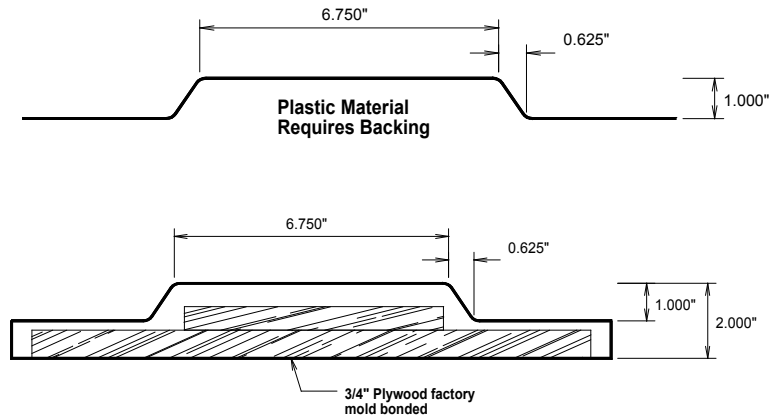
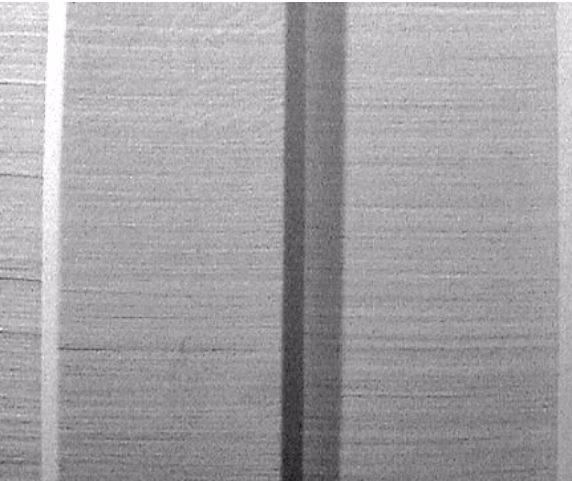
Spec Formliners, Inc.

Impressive on Concrete

Pattern Number: **1201**

Rough Sawn 8" Wood

1" (25mm) deep alternating hi-lo wood grain pattern.



GENERAL INFORMATION

ATTACHMENT TO FORMWORK – Liners are attached to the form using TEK screws through the face of the liner spaced 12" C-C. Optional form mounting T-nuts embedded through the plywood backing is available for Elastospec panels.

FORM RELEASE – Apply with low flow, wide angle, flat spray nozzle and wipe with a cloth to insure a complete even coat to the entire form liner surface. Do not over apply form release agent. Protect treated form liners from precipitation, dust, and debris. Do not apply to reinforcing steel. Most VOC compliant form releases are approved for all form liner materials.

TECHNICAL SUPPORT – Contact Spec Formliners, Inc. 888 429-9550

ThermoSpec™ SINGLE OR MULTI-USE PLASTIC

| Property | HIPS | ABS |
|--|-----------|-----------|
| Tensile D638 | 3700 | 5300 |
| IFlexural D7905 | - | 9300 |
| Hardness D786 | - | 105 |
| Material Weights - lbs/ft² | | |
| 0.070 MIL | 0.110 MIL | 0.150 MIL |
| 0.393 | 0.621 | 0.843 |

ElastoSpec Lite™ Semi-Elastomeric MULTI-USE MATERIAL

| Property | ASTM | Rating |
|--|-------|----------|
| Shore D | D2240 | 65 |
| Tensile | D412 | 3000 psi |
| Elongation | D412 | 300% |
| Tear Strength | D2370 | 23 MPa |
| Material Weights - lbs/ft² | | |
| Varies by Pattern | | |

ElastoSpec™ 100% Solid Urethane BONDED TO 3/4" PLYWOOD

| Property | ASTM | Rating |
|--|-------|---------|
| Shore A | D2240 | 50-55 |
| Tensile | D638 | 800 psi |
| Elongation | D638 | 600% |
| Tear Strength | D624 | 200 pli |
| Material Weights - lbs/ft² | | |
| Varies by Pattern | | |

Call for ThermoSpec™ Standard Panel Sizes on this pattern. Custom Sizes and Art Panels available
ElastoSpec™ Customized Panel Sizes and Art Panels

Spec Formliners, Inc. 530 East Dyer Road, Santa Ana, CA 92707
www.specformliners.com - Phone: 714 429-9500 - FAX: 714 429-1460